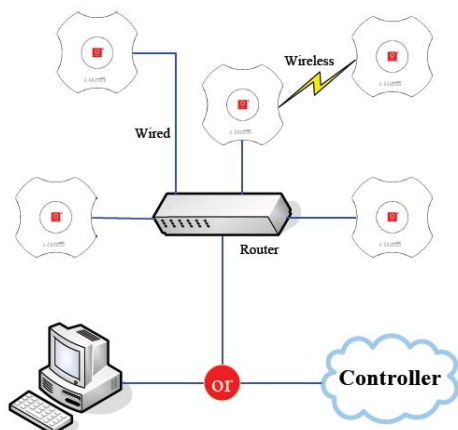


Read Me First

Indoor Wireless Access Point (MMZ Series)

1. Network Topology

- A DHCP-enabled network (for the AP to obtain an IP address as well as for the wireless clients after deployment)
- For MESH network, MC or Cloud manager are running as Controller.



* Note: In the illustration we use MMZ558 as an example

- After finishing the connection, please check the status of LEDs.

Indicator	Name	Normal Status
	Power LED	continuously on
	WAN LED	continuously on
	LAN LED	continuously on/Flashing
	Signal Strength	Increase from left to right

2. Package Contents

- RMF
- 24V 1A GE Passive PoE Adapter
- M3x20 Self Tapping Screw (Qty. 3)
- M3x20 Screw Anchor (Qty. 3)
- M3x30 Flat Head Screw (Qty. 3)
- M3 Keps Nut With Tooth Washer (Qty. 3)

3. Computer Configuration

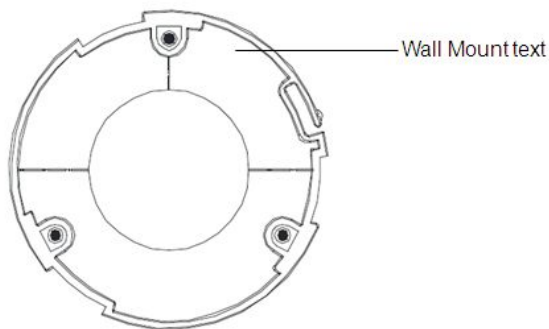
- For windows 2000/xp, please follow the steps blow to get your computer prepared.
- **Step1.** Right click "my network places" → Left click "Properties"
- **Step2.** Double click "Local Area Connection" → Roll the vertical scroll bar to the end then left click "Internet Protocol(TCP/IP)" → Left click "Properties"
- **Step3.** Select "Use the following IP address" → change "IP address" to "192.168.1.100" → change "Subnet Mask" to "255.255.255.0" → Left click "Ok"
* Note: The IP address of the computer can be any IP varied from 192.168.1.2 to 192.168.1.254

4. Mounting Illustration

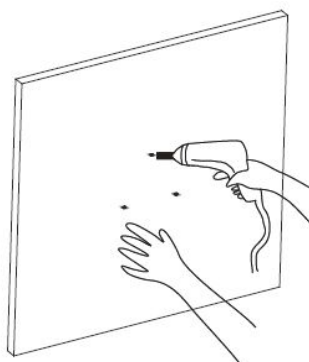
The MMZ AP can be wall-mounted or mounted on a ceiling. Perform the following steps for the appropriate installation.

Wall-Mount

Step 1. Align the Wall-Mount Bracket with the Wall Mount text facing up. There are horizontal and vertical lines on the bracket to help with orientation.

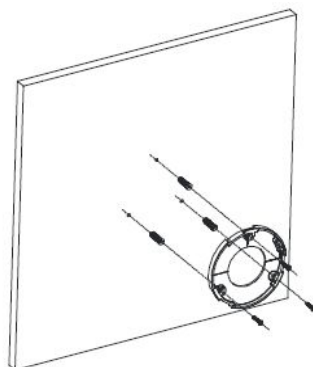


- Step 2.** Use a pencil to mark the holes on the wall.
- Step 3.** Use a 6mm drill bit to drill the holes in the wall.



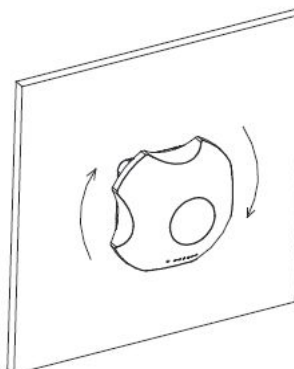
Step 4. Insert the 3 M3x20 Screw Anchors into the wall.

Step 5. Secure the Wall-Mount Bracket to the wall by inserting the M3x20 Self Tapping Screws into the anchors.



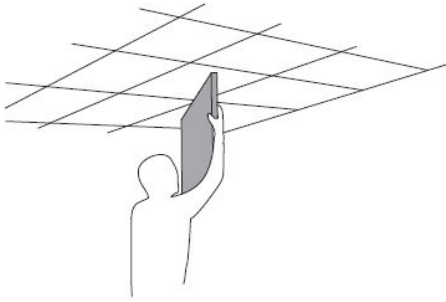
Step 6. Align the notches on the MMZ AP with the notches on the Wall-Mount Bracket.

Step 7. Turn the MMZ AP clockwise until it locks into place.

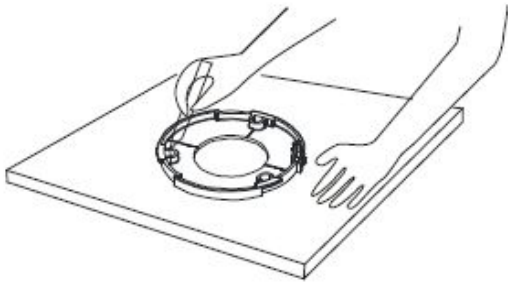


Ceiling-Mount

Step 1. Remove the ceiling tile.

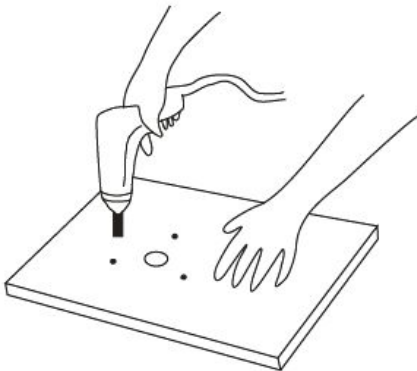


Step 2. Align the Ceiling-Mount Plate to the center of the top side of the ceiling tile.



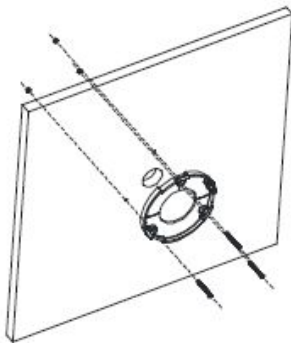
Step 3. Use a 3.5mm drill bit to drill holes for the three flat head screws.

Step 4. Cut or drill a circle approximately 25mm in size that lines up with the larger circle on the Ceiling-Mount Plate. This will be used for the Ethernet cabling.



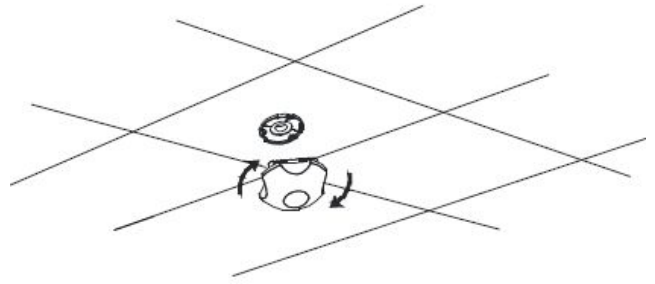
Step 5. Secure the Wall-Mount Bracket and Ceiling-Mount Plate to the ceiling tile using the 3 M3x30 Flat Head Screw and 3 M3 Keps Nut With Tooth Washer

Step 6. Feed the Ethernet cable through the hole and then align the MMZ AP with the notches on the Wall-Mount Bracket.



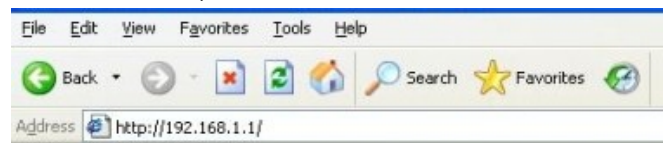
Note: The MMZ AP supports both 802.3af PoE and Passive PoE

Step 7. Turn the MMZ AP clockwise until it locks into place



5. Access Point Configuration

- Open the web browser. At the Address bar, input the IP address of the access point, <http://192.168.1.1> then press "Enter" on the keyboard.



- Input the default user name and password below,
Username: admin
Password: password
- * **Note:** Remember to change your password for security purposes.
- After accessing the main page successfully, you can start your configuration.

Download the Firmware and User Manual at:

<http://www.compex.com.sg>

